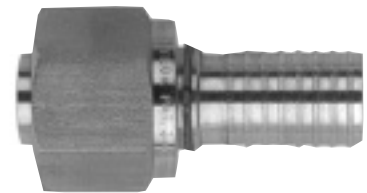
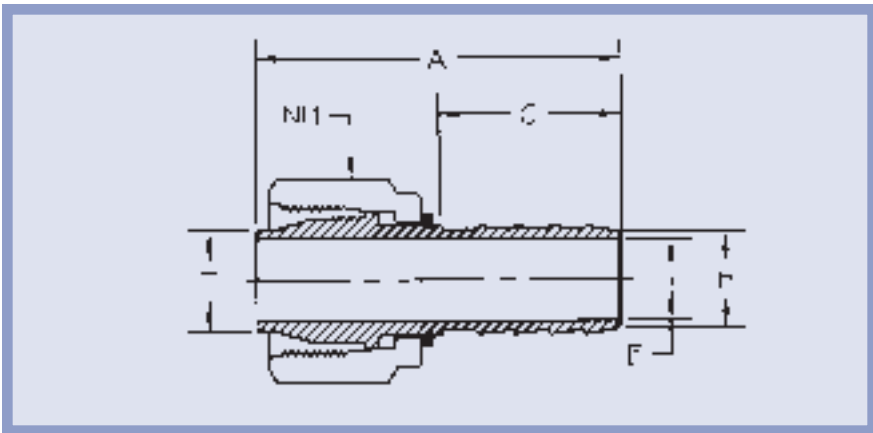


**PORT CONNECTOR UNION**

PART NUMBER	T TUBE O.D.	A	C	E THRU HOLE
1-1PCU-1	1/16	1.093	.531	.047
2-1PCU-2	1/8	1.156	.672	.062
3-1PCU-3	3/16	1.237	.734	.125
4-1PCU-4	1/4	1.314	.827	.187
5-1PCU-5	5/16	1.339	.827	.250
6-1PCU-6	3/8	1.593	.969	.297
8-1PCU-8	1/2	1.921	1.171	.406
10-1PCU-10	5/8	2.009	1.234	.531
12-1PCU-12	3/4	2.173	1.281	.625
14-1PCU-14	7/8	2.312	1.484	.718
16-1PCU-16	1	2.457	1.546	.875



**PORT HOSE CONNECTOR**

PART NUMBER	T TUBE O.D.	H HOSE I.D.	A	C	E THRU HOLE	NH NUT HEX
4-1PHC-3	1/4	3/16	1.192	.590	.125	9/16
4-1PHC-4	1/4	1/4	1.392	.790	.171	9/16
6-1PHC-3	3/8	3/16	1.375	.590	.125	11/16
6-1PHC-4	3/8	1/4	1.575	.790	.187	11/16
6-1PHC-6	3/8	3/8	1.675	.890	.281	11/16
8-1PHC-4	1/2	1/4	1.719	.790	.187	7/8
8-1PHC-6	1/2	3/8	1.819	.890	.281	7/8
8-1PHC-8	1/2	1/2	1.819	.890	.406	7/8

\*NOTE: All dimensions subject to change, to be used for reference only.